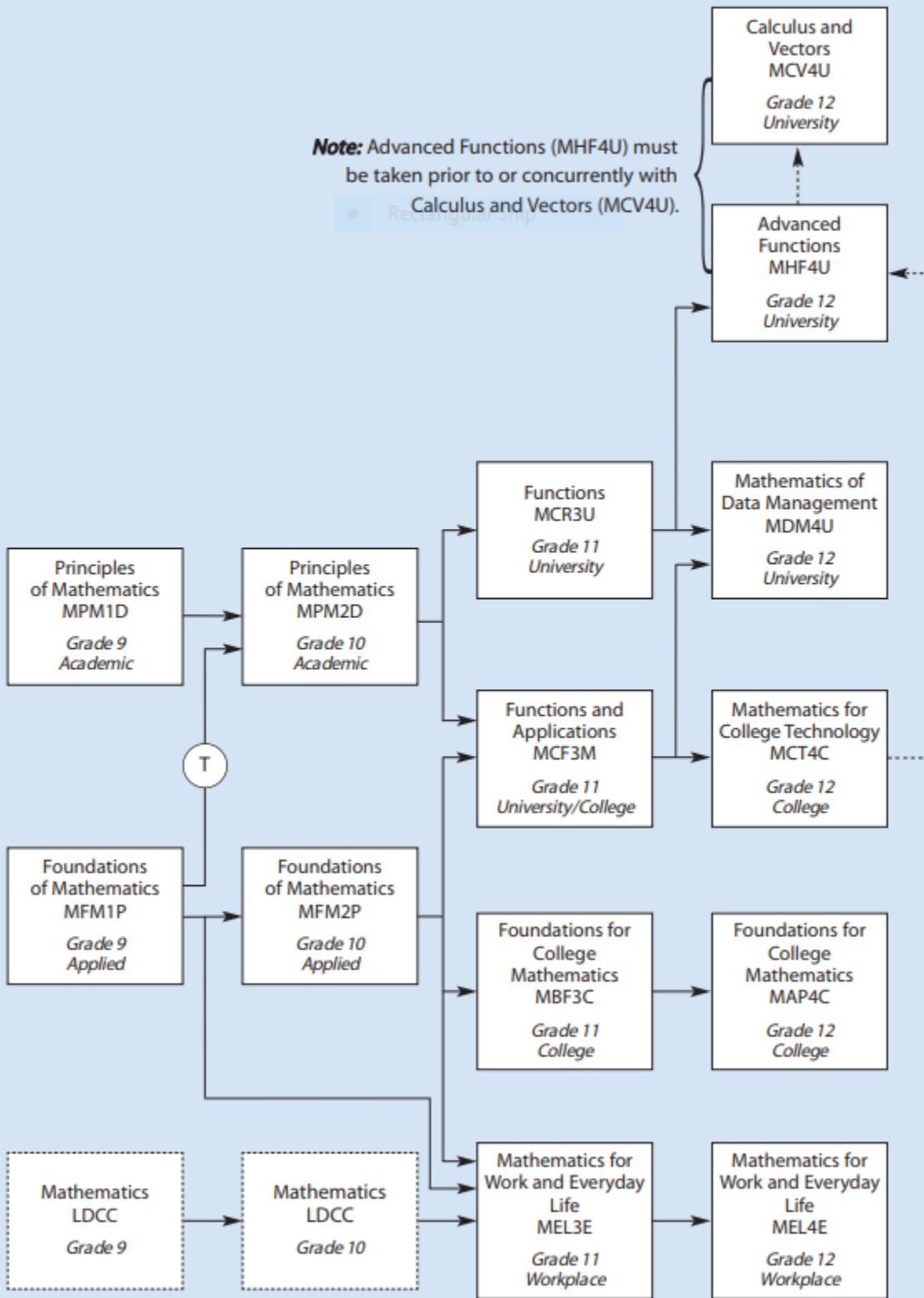


Prerequisite Chart for Mathematics, Grades 9–12

This chart maps out all the courses in the discipline and shows the links between courses and the possible prerequisites for them. It does not attempt to depict all possible movements from course to course.

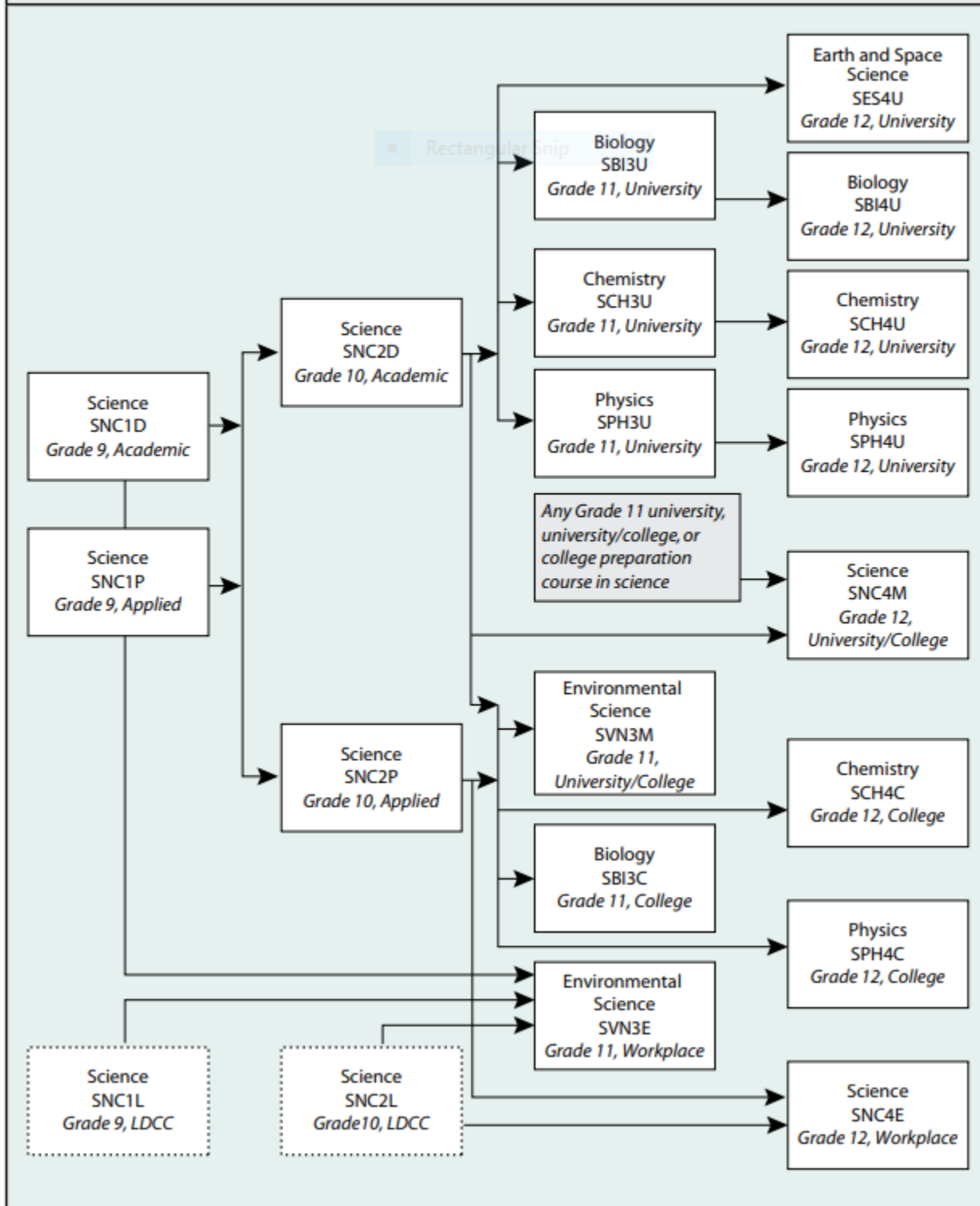
Note: Advanced Functions (MHF4U) must be taken prior to or concurrently with Calculus and Vectors (MCV4U).



Science Pathways

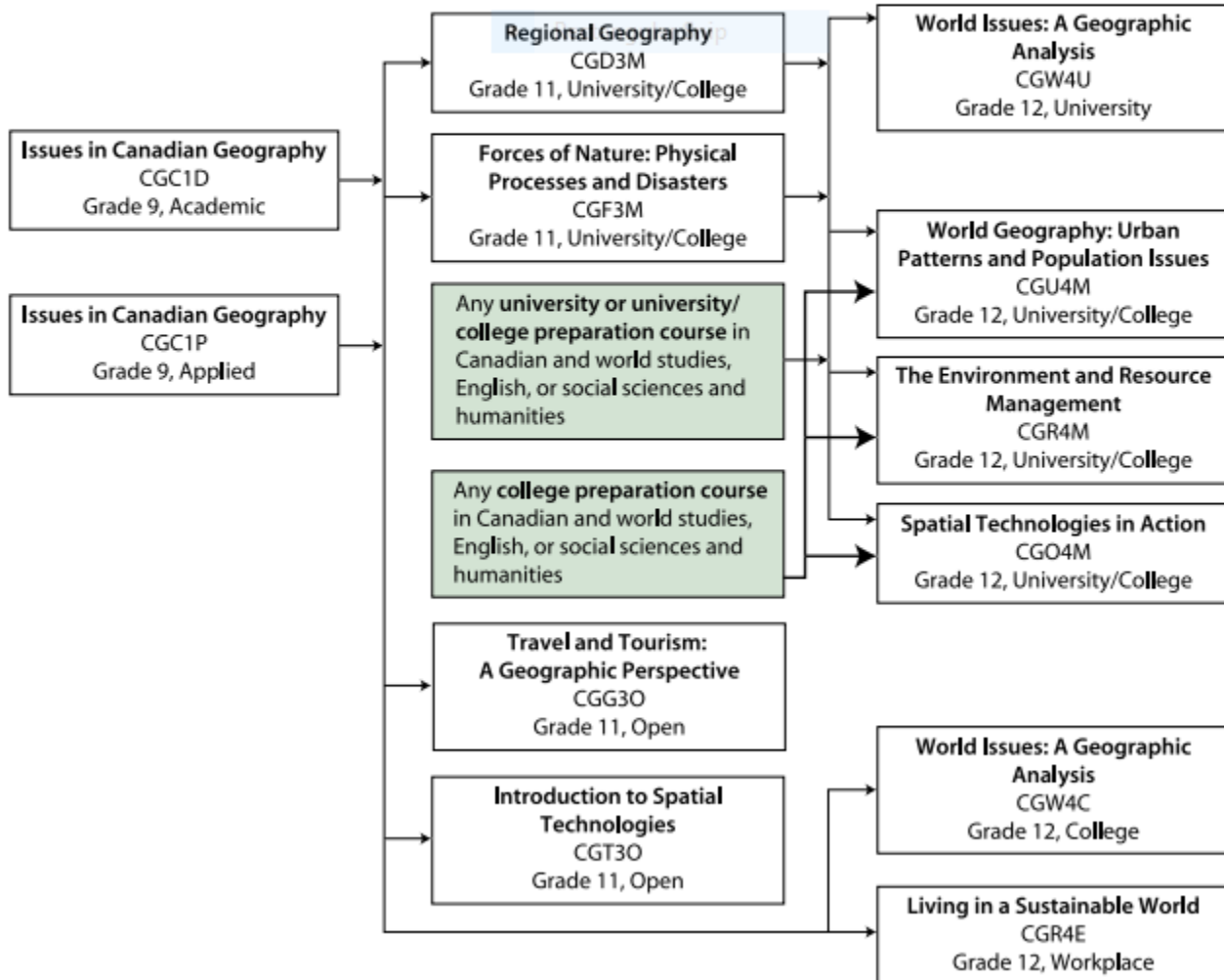
Prerequisite Chart for Science, Grades 9–12

This chart maps out all the courses in the discipline and shows the links between courses and the prerequisites for them. It does not attempt to depict all possible movements from course to course.



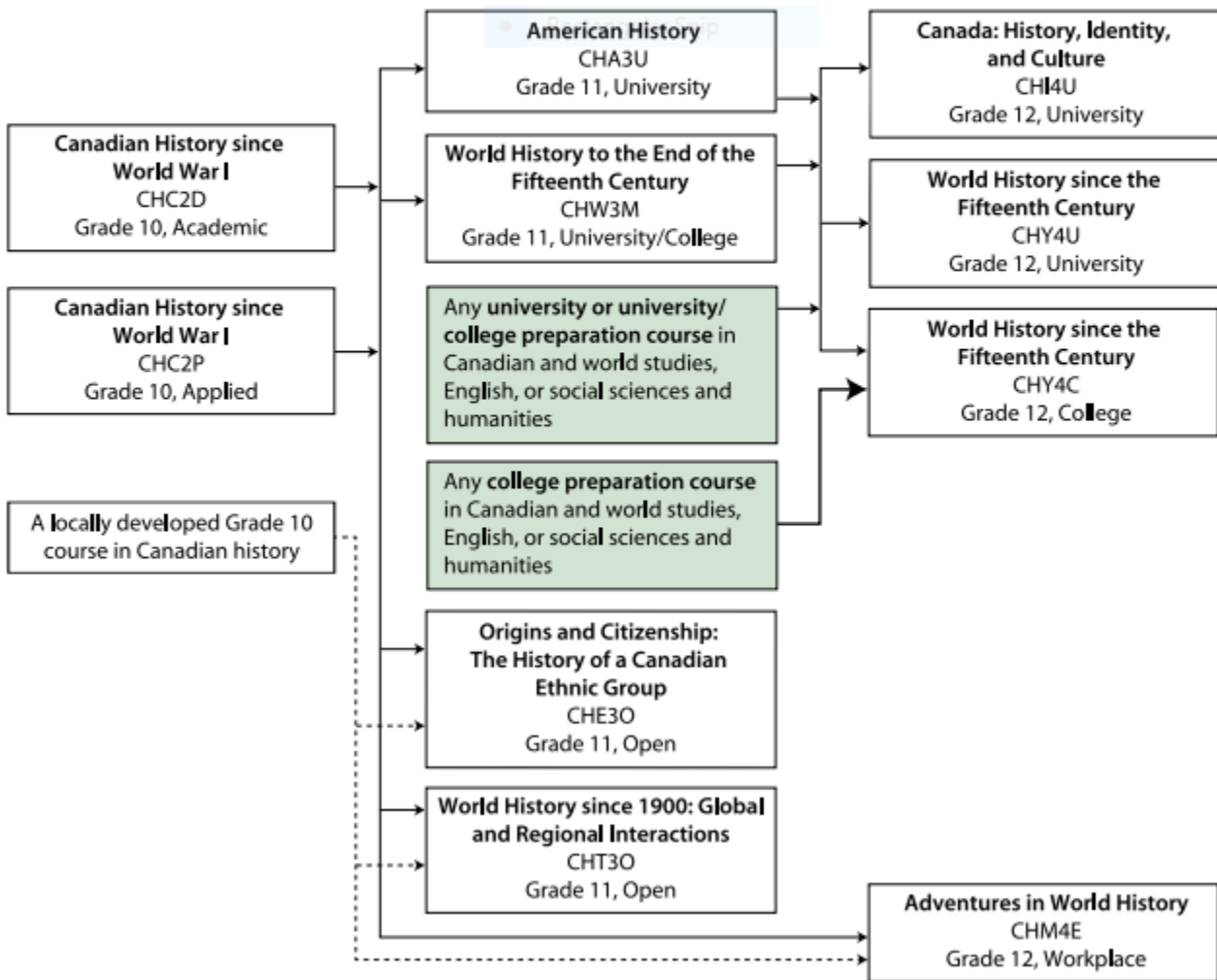
Prerequisite Chart for Canadian and World Studies, Grades 9–12 – Geography

This chart maps out all the courses in geography and shows the links between courses and the possible prerequisites for them. It does not attempt to depict all possible movements from course to course.



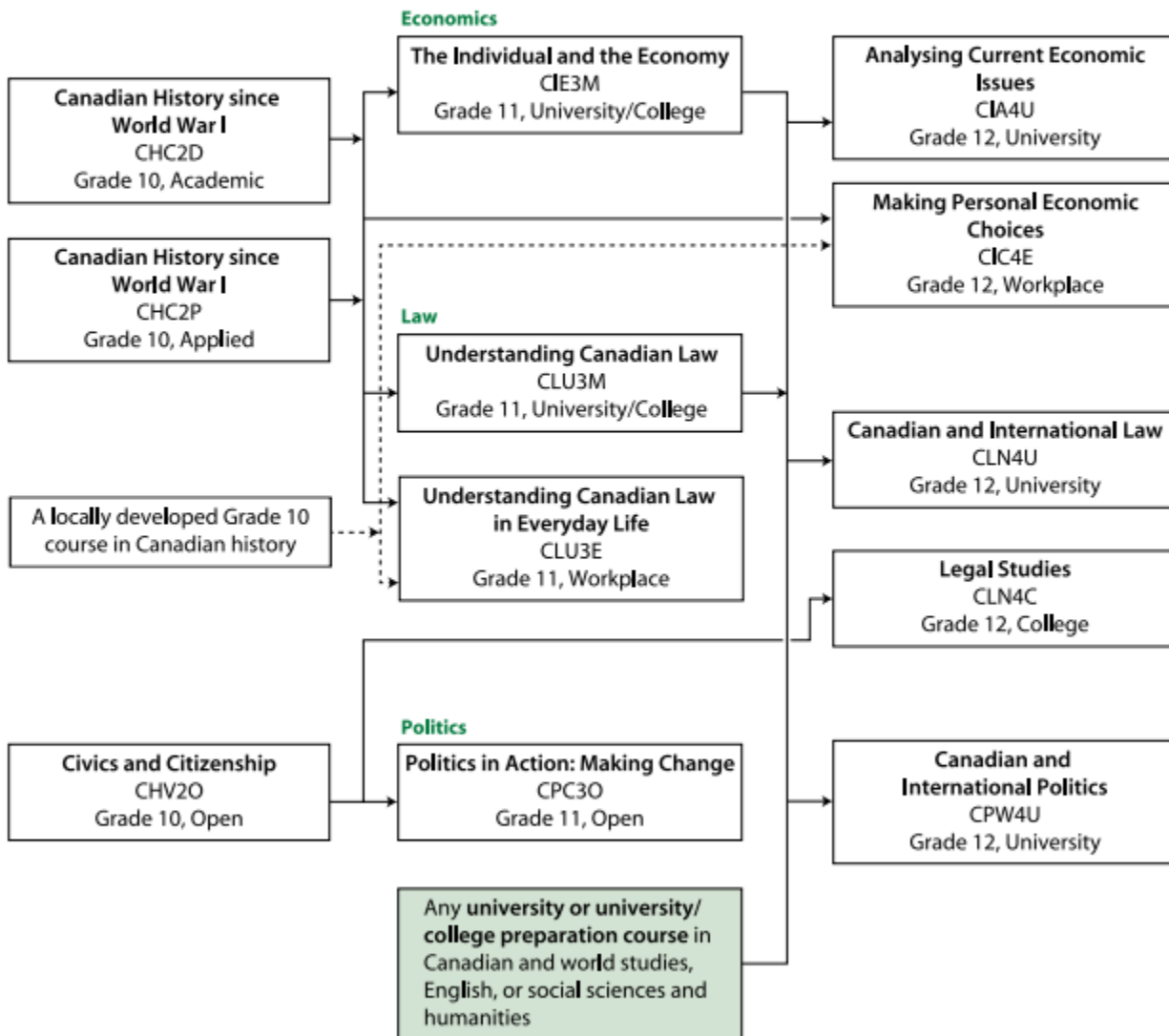
Prerequisite Chart for Canadian and World Studies, Grades 9–12 – History

This chart maps out all the courses in history and shows the links between courses and the possible prerequisites for them. It does not attempt to depict all possible movements from course to course.

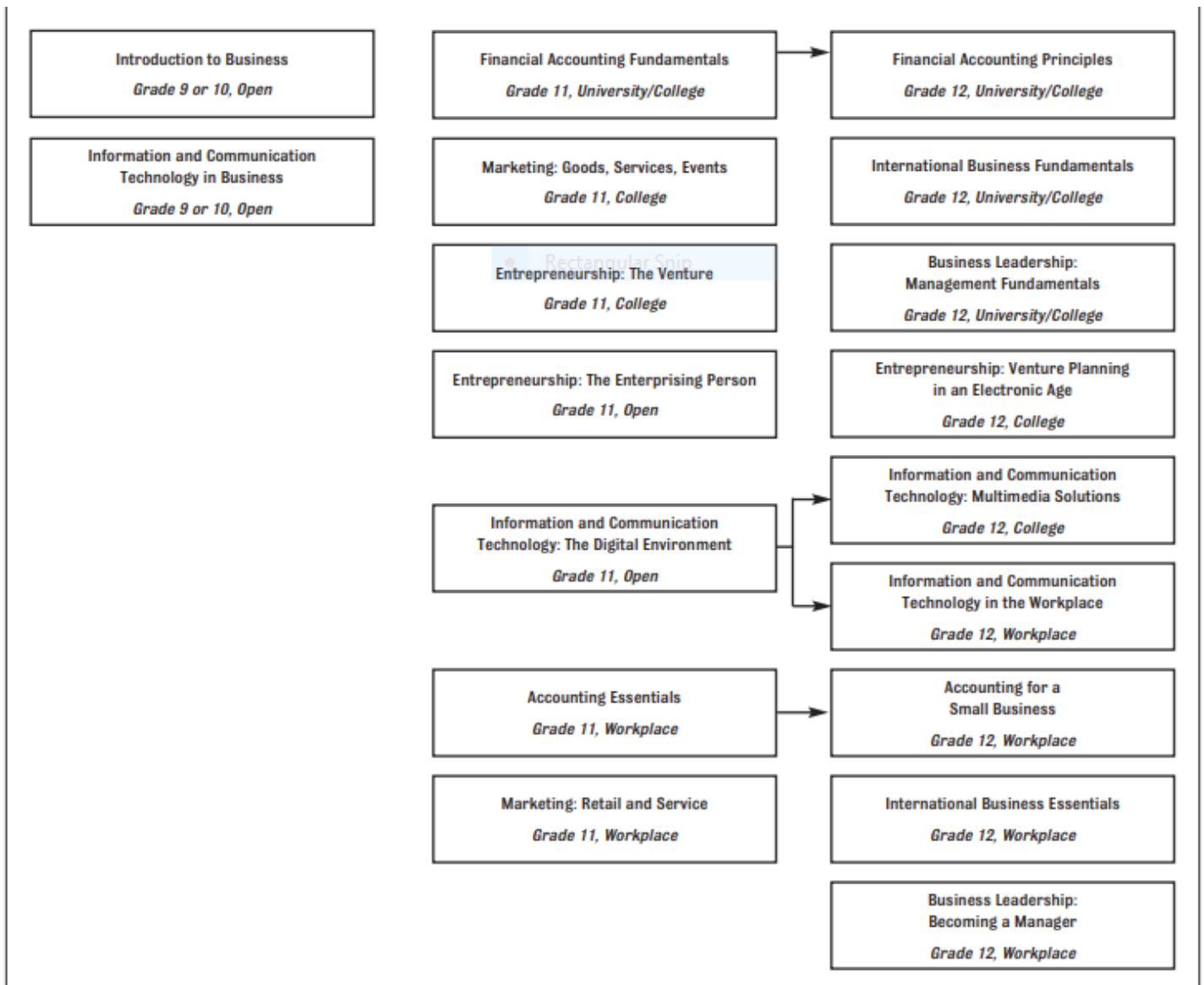


Prerequisite Chart for Canadian and World Studies, Grades 9–12 – Economics, Law, and Politics

This chart maps out all the courses in economics, law, and politics, and shows the links between courses and the possible prerequisites for them. It does not attempt to depict all possible movements from course to course.



Business Pathways

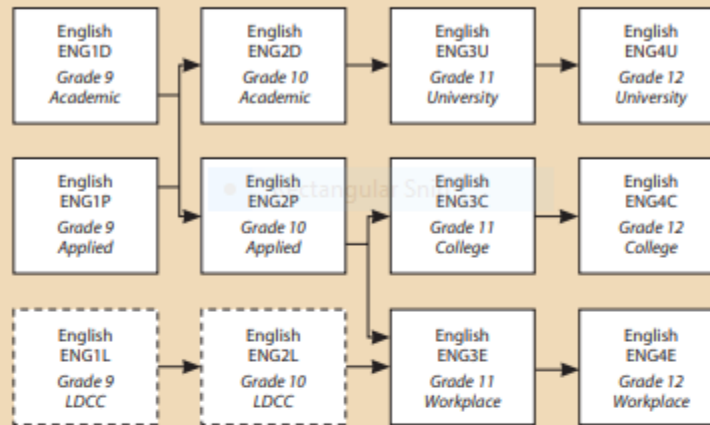


English Pathway

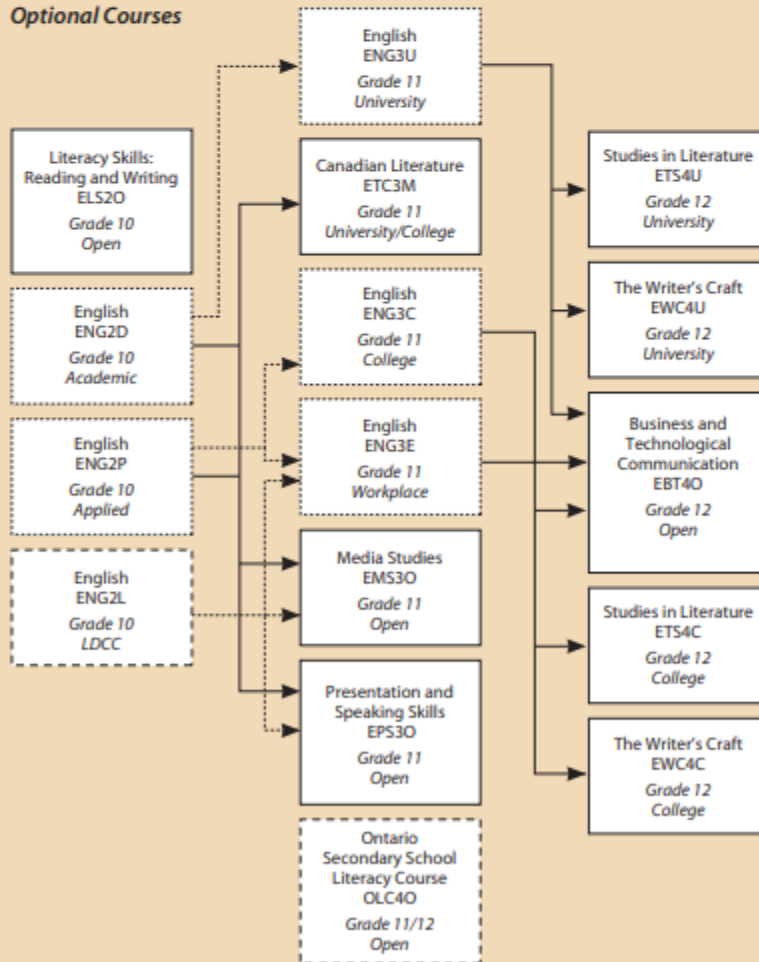
Prerequisite Charts for English, Grades 9–12

These charts map out all the courses in the discipline and show the links between courses and the possible prerequisites for them. They do not attempt to depict all possible movements from course to course.

Compulsory Courses

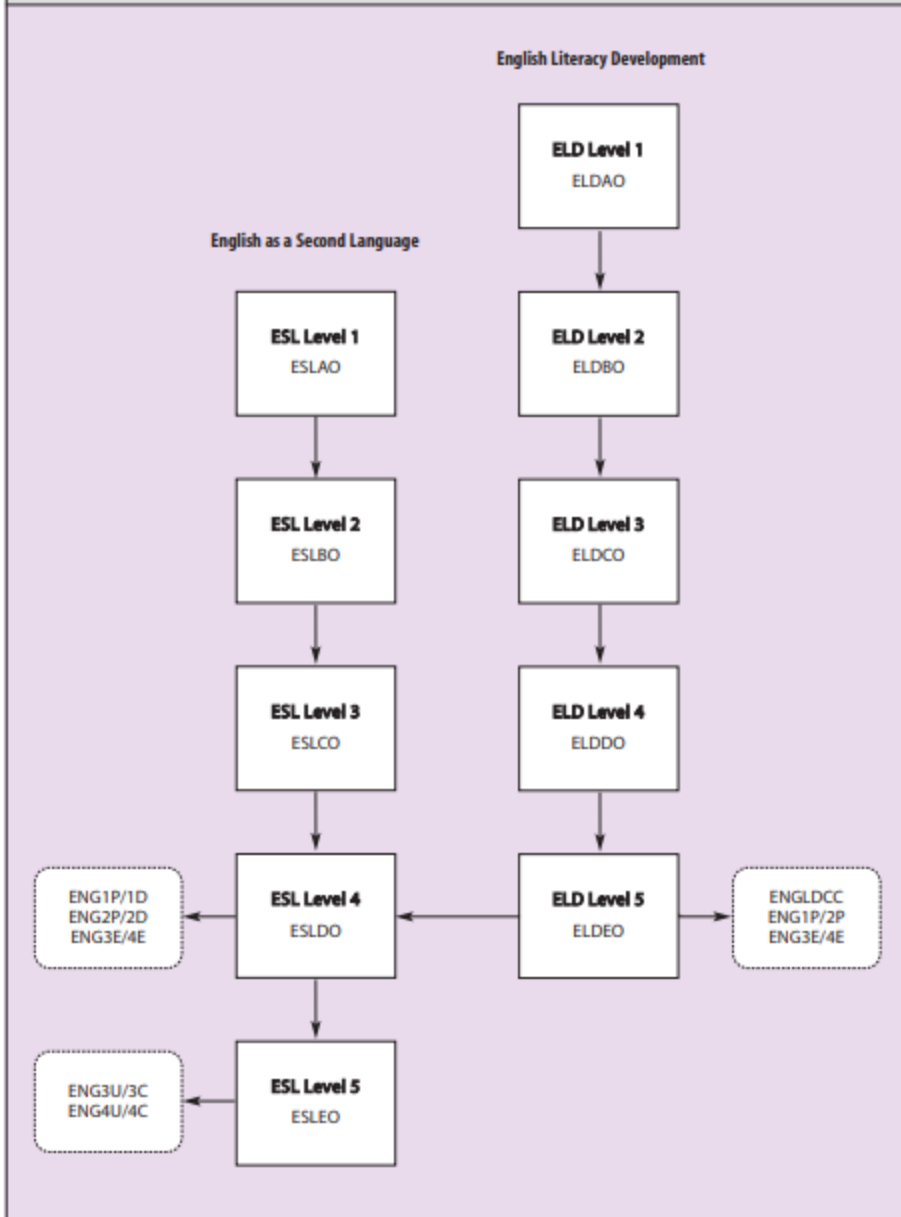


Optional Courses



Pathways to English

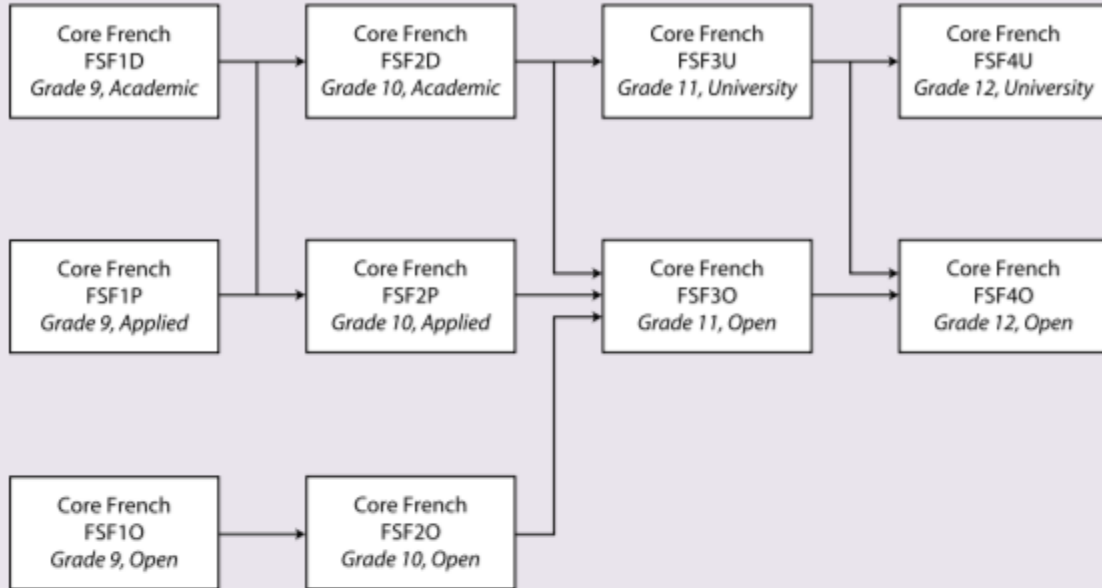
The chart below shows how most English language learners may progress through their ESL and/or ELD courses and into mainstream English courses. Not all students will follow this sequence exactly, and individual students may vary in the rate at which they progress through the levels.



French

These charts map out all of the courses in each program in FSL and show the links between courses and the possible prerequisites for them. They do not attempt to depict all possible movements from course to course.

Core French



Extended French



French Immersion

